



CAME

| **GATE
OPERATORS**

BX-243 SERIES

RESIDENTIAL SLIDE
GATE OPERATOR



Compact, Modern Solution for Residential Slide Gates



LiftMaster®, the industry leader in gate access systems in North America, has partnered with Italian manufacturer CAME Access Automation. The integration of LiftMaster's Security+ 2.0™ radio technology with CAME's sleek Italian design allows us to offer a complementary line of residential gate operators backed by our unmatched sales and service support.

The compact, cost-effective BX-243 slide gate operator has a small footprint, making it perfect for many residential applications.

When you choose the BX-243, you'll get choice features:

LiftMaster® Security+ 2.0™ radio technology

2x the range of standard remotes

On-board receiver provides a single remote solution for gate and garage access

Compact design is easily hidden

24V DC motor with soft stop moves a 25 ft. gate up to 660 lbs.

Partial opening feature for motorcycle access

Simple manual disconnect for emergency operation

Timer-to-Close automatically closes the gate after preset time

Available in **Chain or Rack and Pinion Drive**

LiftMaster®



GATE OPERATORS

BX-243 SERIES

RESIDENTIAL SLIDE GATE OPERATOR

Specifications

Power: 120V AC, single phase

Motor: 24V DC continuous duty

Accessory power output: 24V AC, 1.5 amps

Receiver: Security+ 2.0™ holds 50 transmitters, HomeLink® compatible*

Surge suppression: On high and low voltage inputs

Operator duty cycle rating: 25 cycles per day

Gate travel speed: 7.5 inches per second

Temperature specifications: -4°F to 131°F (-20°C to 55°C)

Warranty: 3 years for residential applications

*May require an external adapter depending on the make, model and year of your vehicle. Visit www.homelink.com for additional information.

Construction

Available in two drive types:

BX-243C Chain Drive:

Unique 28 ft. zinc steel coil chain eliminates need for lubrication

BX-243R Rack & Pinion Drive:

Rack available in steel or polyamide-covered steel sections

Operator chassis: Cast aluminum

Pad mounting plate: Galvanized steel

Shipping weight: BX-243C: 36 lbs. BX-243R: 27 lbs.

ETL Listed: Compliant with UL-325 and CSA C22.2 No. 247 standards

IMPORTANT: To be compliant with UL-325 and industry safety guidelines, qualified secondary entrapment devices such as photo-eyes or sensing edges are required to be installed with this gate operator.

Add to Your System



DIR10M: CAME thru-beam photo-eyes, 32.8' sensing distance, NC contact



DIRL: CAME extruded 16.5" aluminum photo-eye mounting post with base



DIRZ: CAME photo-eye aluminum alloy impact cover



LD7LP: LiftMaster® low-power loop detector



893MAX: LiftMaster® 3-button premium Security+ 2.0™ remote control



890MAX: LiftMaster® 3-button mini Security+ 2.0™ remote control



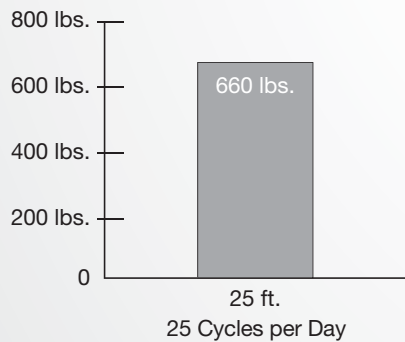
TAC1: LiftMaster® telephone entry system



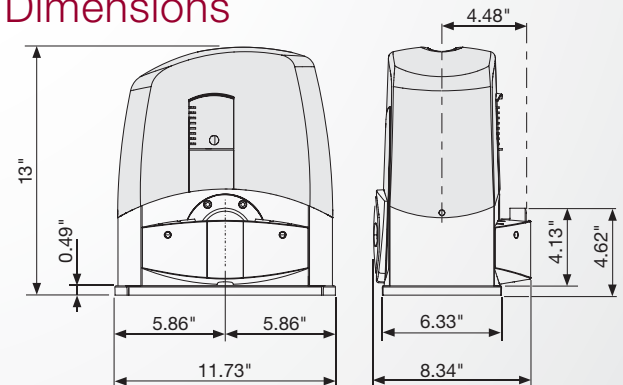
EL25: LiftMaster® telephone entry system

Recommended Capacity

Slide Rating



Dimensions



LiftMaster®

THE CHAMBERLAIN GROUP, INC.
845 Larch Avenue
Elmhurst, IL 60126
LiftMaster.com/CAME

LMCMCAX243
Printed in U.S.A. 07/12
©2012 The Chamberlain Group, Inc.



Follow us on Facebook, Twitter and YouTube!

