

MGJ Gear Jackshaft Operator

Medium-Duty Logic Door Operator

CHAMBERLAIN IS AN ISO9001:2008 REGISTERED COMPANY



Customer _____

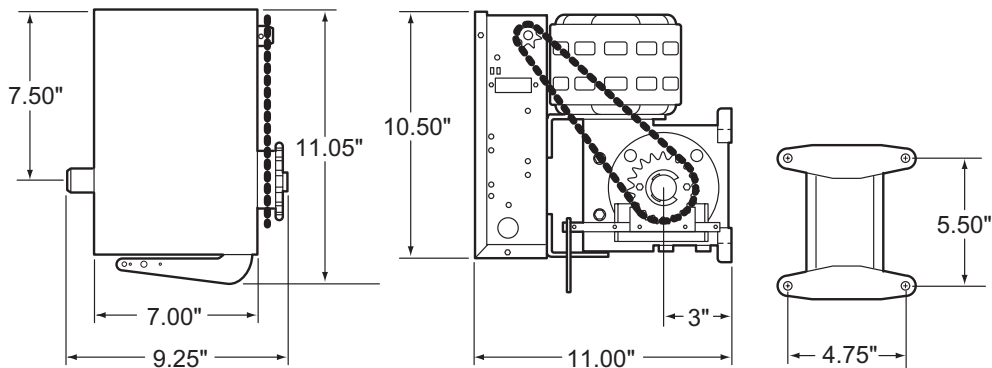
Project _____

Architect/Engineer _____

Contractor _____

Drawing Number _____ Date _____ Sheet _____ of _____

SHOP DRAWING



Specifications for Ordering

1) Supply _____ () LiftMaster Operator(s) Model _____
 _____ HP, _____ Volts, _____ Phase, _____ Hertz _____

2) For _____ wide x _____ high door(s) with _____

3) Supply _____ () OPEN/CLOSE/STOP control station(s) in NEMA ____ enclosure per operator

4) Supply auxiliary and optional equipment as specified below (one per operator unless otherwise noted)

Additional Info

Notes:

- 1) Refer to Model MGJ product data sheet for general information
- 2) Refer to drawing _____ for wiring diagram

MOTOR AMPERAGE RATING			
HORSE POWER	VOLTAGE-PHASE-60Hz		
	115-1Ø	230-1Ø	460-3Ø
1/2	6.5	2.1	1.1

Manufactured by:
 The Chamberlain Group, Inc.
 845 Larch Avenue • Elmhurst, Illinois 60126
For More Information:
 call (800) 323-2276
 visit www.liftmaster.com or
<http://specs.liftmaster.com/architectscorner>



LiftMaster®

Commercial Door Operators