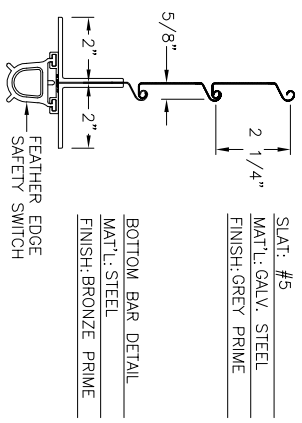


BOTTOM BAR LOCK	
TYPE	OPERATION
SLIDE BOLT	INSIDE <input type="checkbox"/> OUTSIDE <input type="checkbox"/>
CYLINDER	INSIDE <input type="checkbox"/> OUTSIDE <input type="checkbox"/>
NO LOCKING	INSIDE <input type="checkbox"/> OUTSIDE <input type="checkbox"/>



FIRE DOOR || STD MNT H MTR || FACEMTD

- NOTES:
1. GENERAL SPECIFICATIONS SEE SHEET 1.
  2. APPROX. WT. OF DOOR IS WT LBS.
  3. PROVIDE ADEQUATE CLEARANCE FOR WIRING MOTOR.
  4. ELECTRICAL INFORMATION:  
VOLTAGE \_\_\_\_\_ PHASE \_\_\_\_\_  
CONTROLLER NEMA 1  
CONTROL STATION NEMA 1  
PUSH BUTTON  SURFACE MTD   
KEY STATION  FLUSH MTD

5. DOOR COMPANY ASSUMES THAT THE FIRE DOOR(S), THE WALL AND/OR MOUNTING CONDITIONS, ALONG WITH THE FASTENERS USED IN ATTACHING THE DOOR(S) TO THE STRUCTURE MEET WITH THE "AUTHORITY HAVING JURISDICTION'S" APPROVAL. FOR FURTHER REFERENCE CONSULT N.F.P.A.

DIMENSIONS AND CLEARANCES AS NOTED BY ASTERISK (\*) MUST BE FIELD CHECKED.  
VERIFIED BY: \_\_\_\_\_ ON: \_\_\_\_\_  
NO CANCELLATIONS OR RETURNS ON THIS ORDER:  
Signature: \_\_\_\_\_

MAKE	HAND	ARCH. MARK	DOOR MARK
	AS SHOWN		
	OPPOSITE		

NO.	BY	DATE	REVISION
			ORIGINAL DRAWING



JOB: \_\_\_\_\_

CONTRACTOR: \_\_\_\_\_

ARCHITECT: \_\_\_\_\_

DISTRIBUTOR: \_\_\_\_\_

DRAWING NO. \_\_\_\_\_ OF \_\_\_\_\_