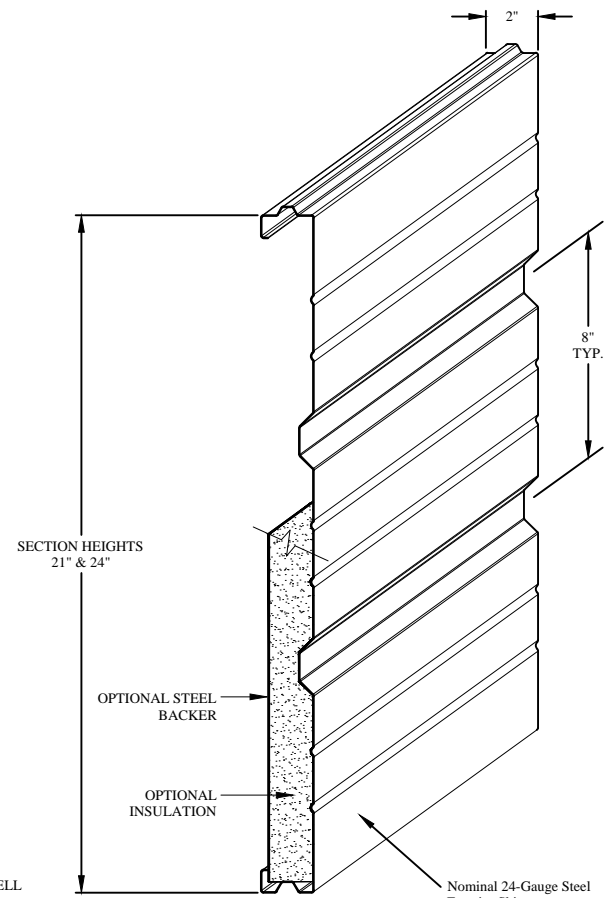
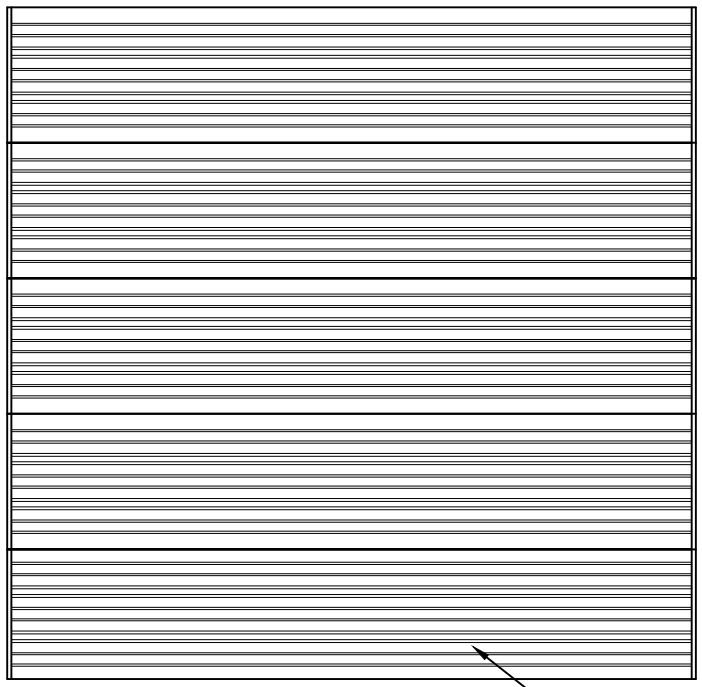


**INTERIOR ELEVATION**

INSULATION TYPE: HAIRCELL  
CFC-FREE  
EXPANDED POLYSTYRENE  
R= 6.64/U= 0.15  
(ALSO AVAILABLE WITH  
25ga STEEL BACKER)

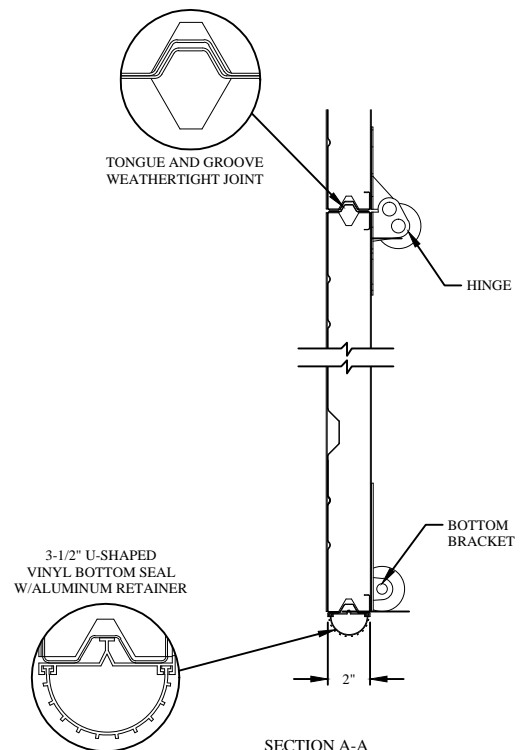


**ISOMETRIC PROFILE**

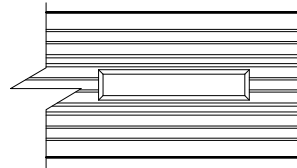
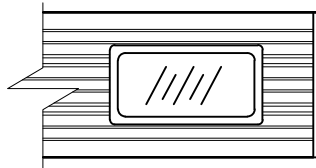


**EXTERIOR ELEVATION**

Nominal 24 Gauge Steel Exterior Skin



**SECTION A-A**

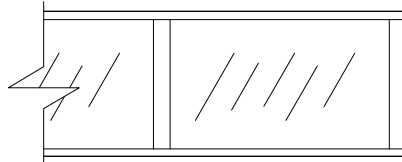


24" x 12" WINDOW W/ NON-INSULATED 1/8" PLEXI-GLASS  
AND DOUBLE PANE INSULATED PLEXI-GLASS

24" x 4" WINDOW WITH 1/8" PLEXI-GLASS

| DOOR WIDTH | MAX No. WINDOWS |
|------------|-----------------|
| 8'2"       | 2               |
| 9'2"       | 2               |
| 10'2"      | 3               |
| 11'2"      | 3               |
| 12'2"      | 3               |
| 13'2"      | 4               |
| 14'2"      | 4               |
| 15'2"      | 4               |
| 16'2"      | 4               |
| 17'2"      | 5               |
| 18'2"      | 5               |
| 19'2"      | 5               |
| 20'2"      | 6               |

NOTE: CHART ABOVE INDICATES MAXIMUM NUMBER OF WINDOWS PER SECTION.



ALUMINUM FULLVIEW SECTION

| DOOR WIDTH    | DOOR HEIGHTS |      |      |       |       |       |       |       |       |
|---------------|--------------|------|------|-------|-------|-------|-------|-------|-------|
|               | 7'1"         | 8'1" | 9'1" | 10'1" | 11'1" | 12'1" | 13'1" | 14'1" | 16'1" |
| 8'2" - 12'2"  | 3            | 3    | 4    | 4     | 5     | 5     | 6     | 6     | 7     |
| 12'4" - 14'2" | 3            | 3    | 4    | 4     | 5     | 5     | 6     | 6     | 7     |
| 14'4" - 16'2" | 3            | 3    | 4    | 4     | 5     | 5     | 6     | 6     | 7     |
| 16'4" - 20'2" | 3            | 3    | 4    | 4     | 5     | 5     | 6     | 6     | 7     |

NOTE: CHART ABOVE INDICATES MAXIMUM NUMBER OF ALUMINUM FULLVIEW SECTIONS PER DOOR SIZE.

\*FOR INSULATED GLASS CONFIGURATION CONTACT ENGINEERING

| DOOR WIDTH | MIN. No. PANELS |
|------------|-----------------|
| 8'2"       | 2               |
| 9'2"       | 2               |
| 10'2"      | 3               |
| 11'2"      | 3               |
| 12'2"      | 3               |
| 13'2"      | 4               |
| 14'2"      | 4               |
| 15'2"      | 4               |
| 16'2"      | 4               |
| 17'2"      | 5               |
| 18'2"      | 5               |
| 19'2"      | 5               |
| 20'2"      | 6               |

NOTE: CHART ABOVE INDICATES MINIMUM NUMBER OF PANELS PER SECTION.

SECTION ARRANGEMENT CHART

| <b>Door Height</b> | <b>21" Bottom</b> | <b>21" Intermediate</b> | <b>24" Bottom</b> | <b>24" Intermediate</b> |
|--------------------|-------------------|-------------------------|-------------------|-------------------------|
| 7'0"               | 1                 | 3                       |                   |                         |
| 7'3"               |                   | 3                       | 1                 |                         |
| 7'6"               |                   | 2                       | 1                 | 1                       |
| 7'9"               |                   | 1                       | 1                 | 2                       |
| 8'0"               |                   |                         |                   | 4                       |
| 8'3"               | Not Available     |                         |                   |                         |
| 8'6"               | Not Available     |                         |                   |                         |
| 8'9"               | 1                 | 4                       |                   |                         |
| 9'0"               |                   | 4                       | 1                 |                         |
| 9'3"               |                   | 3                       | 1                 | 1                       |
| 9'6"               |                   | 2                       | 1                 | 2                       |
| 9'9"               |                   | 1                       | 1                 | 3                       |
| 10'0"              |                   |                         | 1                 | 4                       |
| 10'3"              | Not Available     |                         |                   |                         |
| 10'6"              | 1                 | 5                       |                   |                         |
| 10'9"              |                   | 5                       | 1                 |                         |
| 11'0"              |                   | 4                       | 1                 | 1                       |
| 11'3"              |                   | 3                       | 1                 | 2                       |
| 11'6"              |                   | 2                       | 1                 | 3                       |
| 11'9"              |                   | 1                       | 1                 | 4                       |
| 12'0"              |                   |                         | 1                 | 5                       |
| 12'3"              | 1                 | 6                       |                   |                         |
| 12'6"              |                   | 6                       | 1                 |                         |
| 12'9"              |                   | 5                       | 1                 | 1                       |
| 13'0"              |                   | 4                       | 1                 | 2                       |
| 13'3"              |                   | 3                       | 1                 | 3                       |
| 13'6"              |                   | 2                       | 1                 | 4                       |
| 13'9"              |                   | 1                       | 1                 | 5                       |
| 14'0"              |                   |                         | 1                 | 6                       |
| 14'0"              | 1                 | 7                       |                   |                         |
| 14'3"              |                   | 7                       | 1                 |                         |
| 14'6"              |                   | 6                       | 1                 | 1                       |
| 14'9"              |                   | 5                       | 1                 | 2                       |
| 15'0"              |                   | 4                       | 1                 | 3                       |
| 15'3"              |                   | 3                       | 1                 | 4                       |
| 15'6"              |                   | 2                       | 1                 | 5                       |
| 15'9"              |                   | 1                       | 1                 | 6                       |
| 15'9"              | 1                 | 8                       |                   |                         |
| 16'0"              |                   |                         | 1                 | 7                       |
| 16'0"              |                   | 8                       | 1                 |                         |