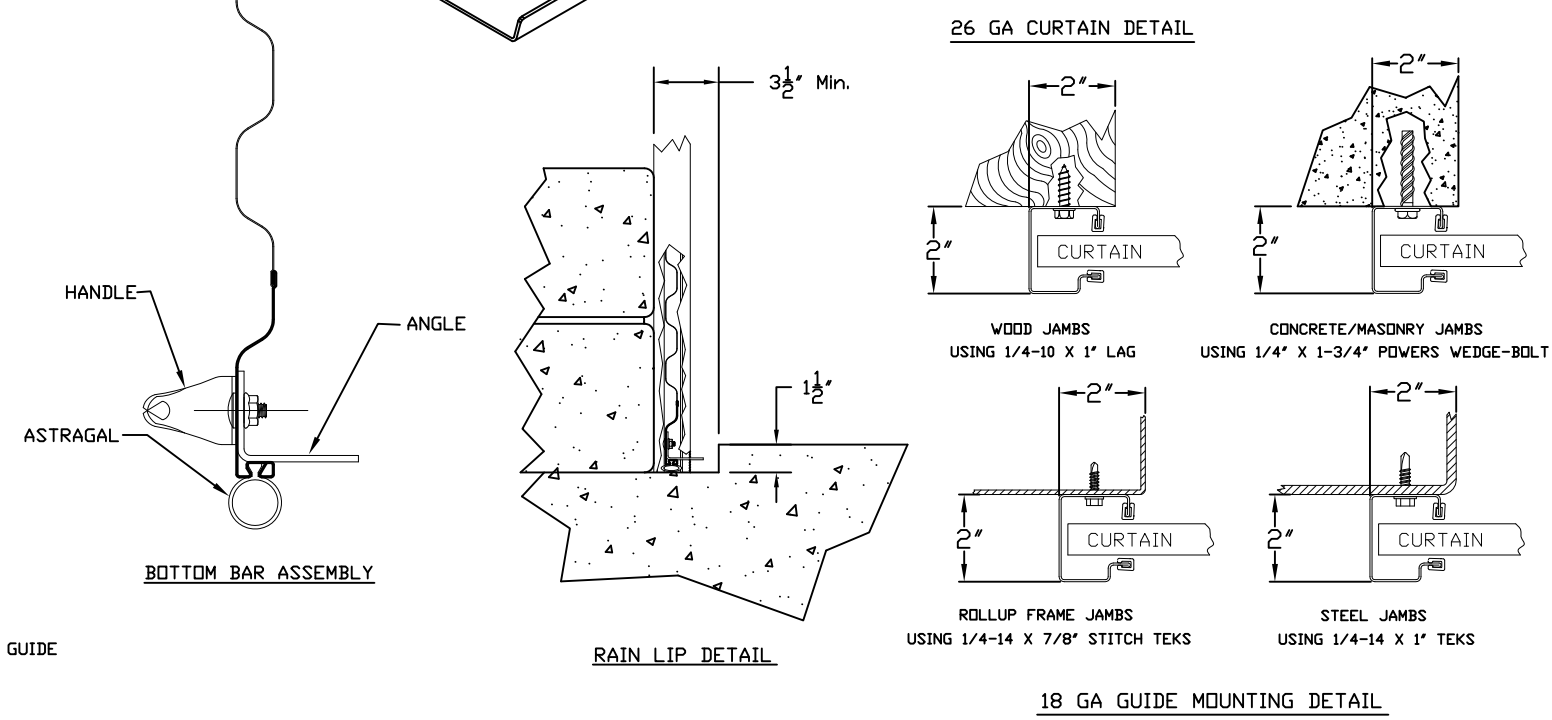
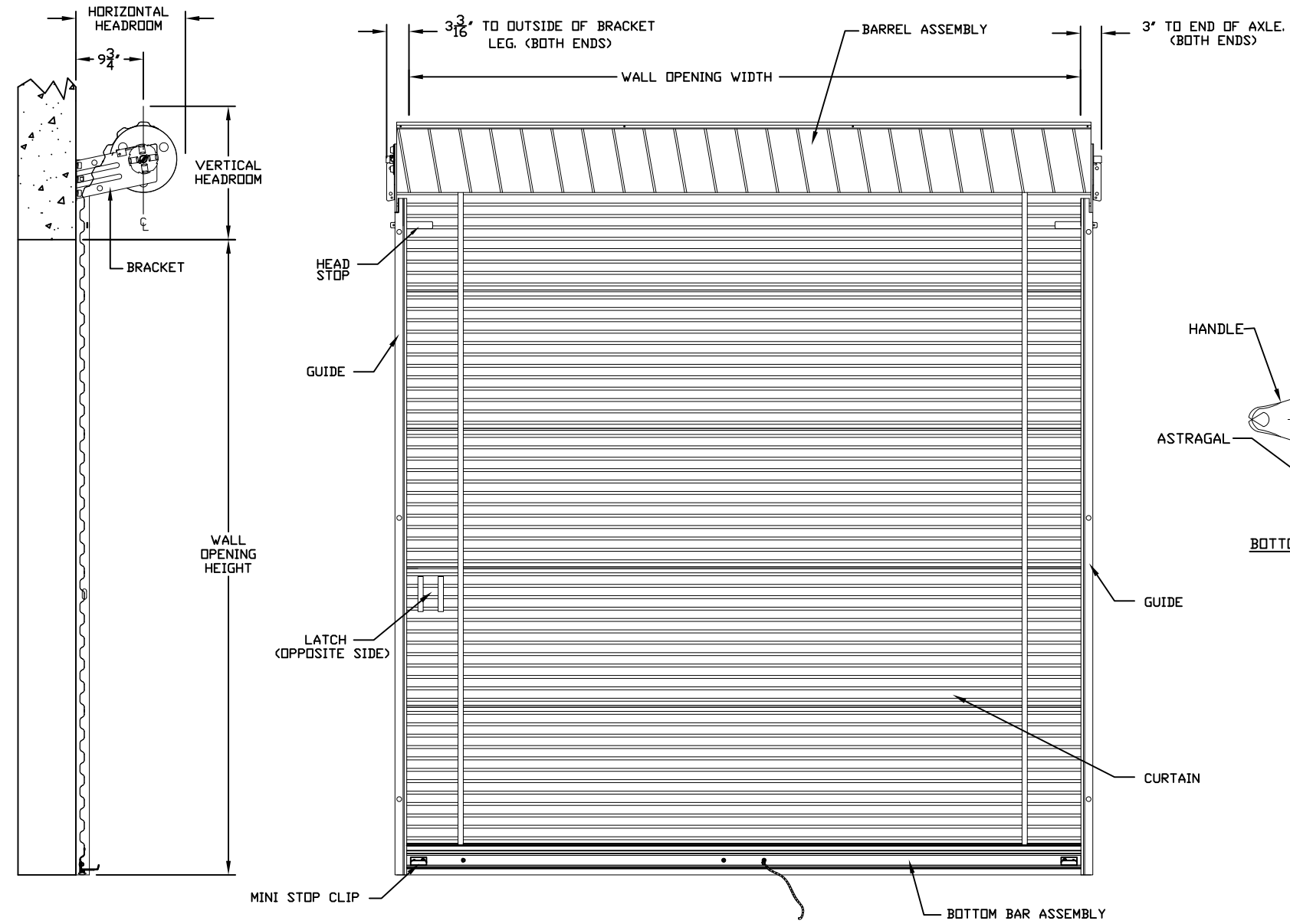
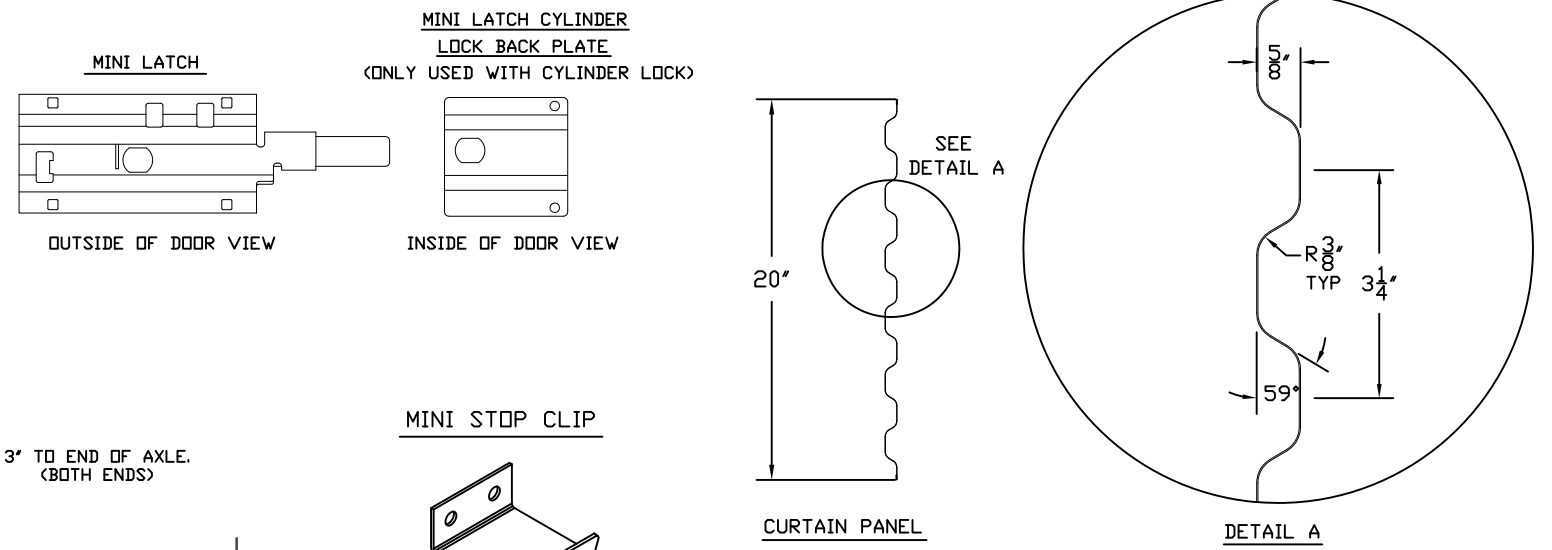


HEADROOM REQUIRED

OPENING HEIGHT	VERTICAL HEADROOM	HORIZONTAL HEADROOM
THRU 7'-4"	15-1/2"	17"
OVER 7'-4" THRU 8'-8"	16"	17-1/2"
OVER 8'-8" THRU 10'-0"	17"	18-1/4"

- CLEARANCES SHOWN ARE MAXIMUMS, LESSER CLEARANCES MAY BE POSSIBLE.
- ALL OPENING PREPARATION AND FIELD PAINTING SHALL BE PROVIDED BY OTHERS.
- CURTAIN FINISH SHALL BE SILICON POLYESTER PRE-PAINT OVER GALVANIZED GRADE 80 STEEL.
- GUIDES, BRACKETS, BOTTOM BAR ANGLE, HEAD STOPS AND HANDLES ARE ZINC COATED.
- UNLESS OTHERWISE NOTED, LOCKING SHALL BE BY SINGLE MINI SLIDE LATCH BOLTED TO CURTAIN AND SUITABLE FOR DOUBLE PADLOCKS AND SINGLE CYLINDER LOCK BY OTHERS.
- LATCH COVER IS YELLOW ZINC (STAINLESS STEEL OPTIONAL) AND SLIDE IS MAGNETIC STAINLESS.
- SERIES 5502I IS AN INSULATED SERIES 5502.



END VIEW

INSIDE ELEVATION

4-6-10

Model 5502 / 5502I			
PROJECT:			
ARCHITECT:			
CONTRACTOR:			
DISTRIBUTOR:			
PLANT:			
DRAWN BY:		DATE:	
APPROVED BY:		DATE:	
ENGR. CERT. NO:			
DRAWING NUMBER:		SHT.	OF

FACTORY ORDER NUMBER	DOOR SERIES		QTY	OPENING SIZE		JAMB TYPE				OUTSIDE CURTAIN COLOR	ADDED OPTIONS
	5502	5502I		WIDTH	HEIGHT	STEEL	CONC./MAS.	WOOD	ROLLUP FRAME		

