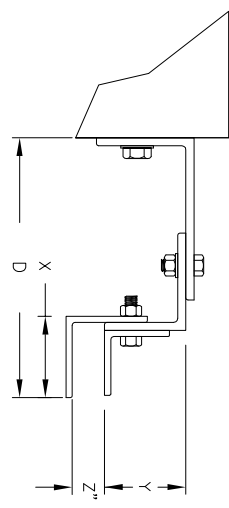
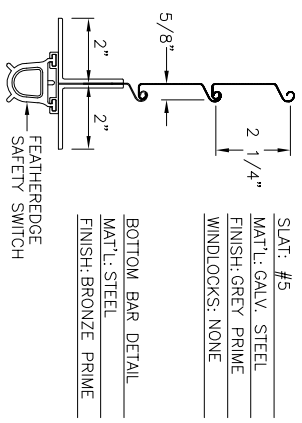


GUIDE DETAIL TYPE D  
 MTL: L. STEEL  
 FINISH: BRONZE PRIME



BOTTOM BAR LOCK			
TYPE	OPERATION	INSIDE	OUTSIDE
SLIDE BOLT	<input type="checkbox"/>	<input type="checkbox"/>	<input type="checkbox"/>
CYLINDER	<input type="checkbox"/>	<input type="checkbox"/>	<input type="checkbox"/>
NO LOCKING	<input type="checkbox"/>	<input type="checkbox"/>	<input type="checkbox"/>



SERVICE DOOR || H MTR OPER || BTWJAMB

- NOTES:
1. GENERAL SPECIFICATIONS SEE SHEET 1.
  2. APPROX. WT. OF DOOR IS \_\_\_\_\_ WT LBS.
  3. PROVIDE ADEQUATE CLEARANCE FOR WIRING MOTOR.
  4. ELECTRICAL INFORMATION:  
 VOLTAGE \_\_\_\_\_ PHASE \_\_\_\_\_  
 CONTROLLER NEMA 1 \_\_\_\_\_  
 CONTROL STATION NEMA 1 \_\_\_\_\_  
 PUSH BUTTON  SURFACE MTD   
 KEY STATION  FLUSH MTD
  5. DOOR DESIGNED FOR 25 CYCLES PER DAY.
  6. DOOR DESIGNED TO WITHSTAND 20 PSF WINDLOAD.
  7. THIS DRAWING COVERS GENERAL CONDITIONS, DIMS, AND SPECIFICATIONS ONLY. DO NOT USE FOR INSTALLATION PURPOSES. INSTALLATION INSTRUCTIONS AND DIMENSIONS ARE INCLUDED WITH SHIPMENT.

DIMENSIONS AND CLEARANCES AS NOTED BY ASTERISK (\*) MUST BE FIELD CHECKED.  
 VERIFIED BY: \_\_\_\_\_ ON: \_\_\_\_\_  
 NO CANCELLATIONS OR RETURNS ON THIS ORDER:  
 Signature: \_\_\_\_\_

MAKE	HAND	ARCH. MARK	DOOR MARK
	AS SHOWN		
	OPPOSITE		

NO.	BY	DATE	REVISION
1			ORIGINAL DRAWING



JOB: \_\_\_\_\_  
 CONTRACTOR: \_\_\_\_\_  
 ARCHITECT: \_\_\_\_\_  
 DISTRIBUTOR: \_\_\_\_\_  
 DRAWING NO. \_\_\_\_\_ OF \_\_\_\_\_