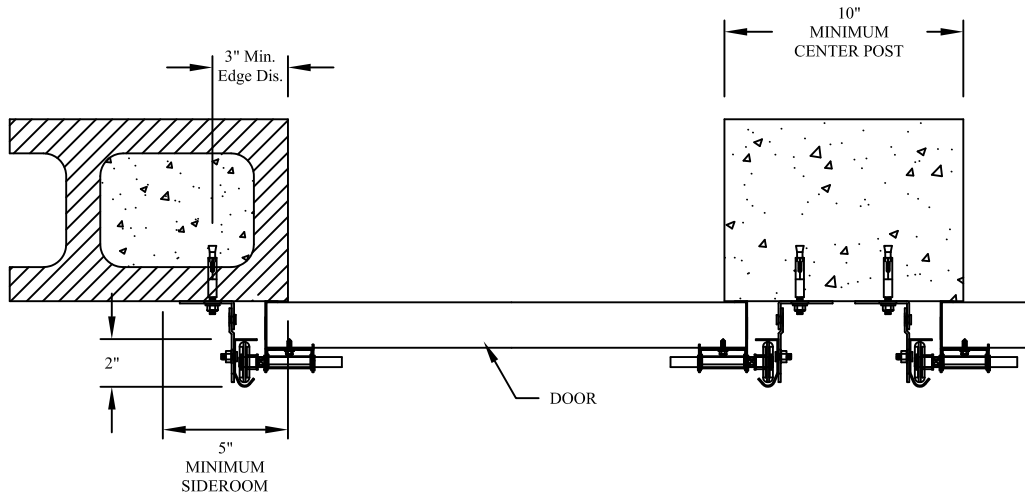
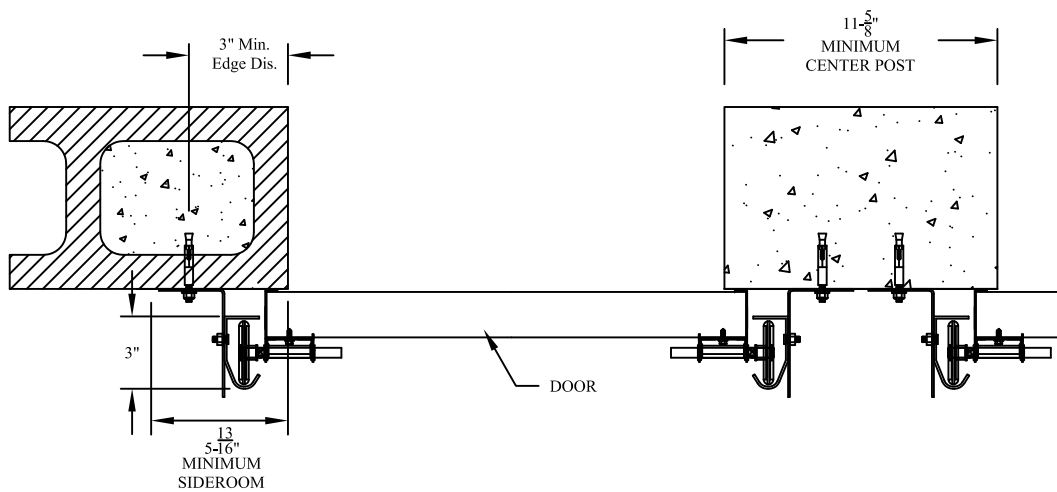


COMMERCIAL 2" BRACKET MOUNT  
TO CONCRETE/MASONRY JAMB DETAIL



COMMERCIAL 2" CONTINUOUS ANGLE MOUNT  
TO CONCRETE/MASONRY JAMB DETAIL



COMMERCIAL 3" TAPERED REVERSE ANGLE MOUNT  
(LEG OUT) TO CONCRETE/MASONRY JAMB DETAIL